

# ISO15552 Standard cylinder



## BSAI Series—Enclasp type

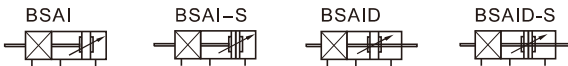


### Specification

Bore size(mm)	32	40	50	63	80	100	125				
Acting type	Double acting										
Fluid	Air(to be filtered by 40µm filter element)										
Mounting type	BSAI	Basic	FA	FB	CA	CB	CR	LB	TC	TCM1	TCM2
	BSAID	Basic	FA	LB	TC	TCM1	TCM2				
Operating pressure	0.15~0.7MPa(22~100psi)(1.5~7.0bar)										
Proof pressure	1.5MPa(215psi)(15bar)										
Temperature °C	-20~70										
Speed range mm/s	30~800						30~500				
Stroke tolerance	0~250 <sup>+1.0</sup> <sub>0</sub>		251~1000 <sup>+1.5</sup> <sub>0</sub>		1001~1500 <sup>+2.0</sup> <sub>0</sub>						
Cushion type	Variable cushion										
Adjustable cushion stroke	27		30		36		40				
Port size	Cylinder	1/8"	1/4"		3/8"		1/2"				
[Note1]	Enclasp equipment	G1/8									
Unlocked Pressure	0.3~0.7MPa(45~100psi)(3~7bar)										
Static holding force (N)	600	900	1400	2200	3600	5500	8600				

[Note1] G thread is available.  
Add) Refer to P576 for detail of sensor switch.

### Symbol



### Product feature

1. Belong to SAI series standard cylinder add lock structure.
2. Can be locked at random positions in stroke scope.
3. Reasonable lock structure, the lock state no relation with the direction of piston moving.

### Stroke

Bore size (mm)	Standard stroke (mm)												Max.std stroke									
32	25	50	75	80	100	125	150	160	175	200	250	300	350	400	450	500	700					
40	25	50	75	80	100	125	150	160	175	200	250	300	350	400	450	500	600	700	800	800		
50	25	50	75	80	100	125	150	160	175	200	250	300	350	400	450	500	600	700	800	900	1000	1000
63	25	50	75	80	100	125	150	160	175	200	250	300	350	400	450	500	600	700	800	900	1000	1000
80	25	50	75	80	100	125	150	160	175	200	250	300	350	400	450	500	600	700	800	900	1000	1000
100	25	50	75	80	100	125	150	160	175	200	250	300	350	400	450	500	600	700	800	900	1000	1000
125	25	50	75	80	100	125	150	160	175	200	250	300	350	400	450	500	600	700	800	900	1000	1000

[Note] Consult us for non-standard stroke.

### Ordering code

**B SAI 80X50 S □ G**  
**B SAID 80X50 S □ G**

① ② ③ ④ ⑤ ⑥ ⑦

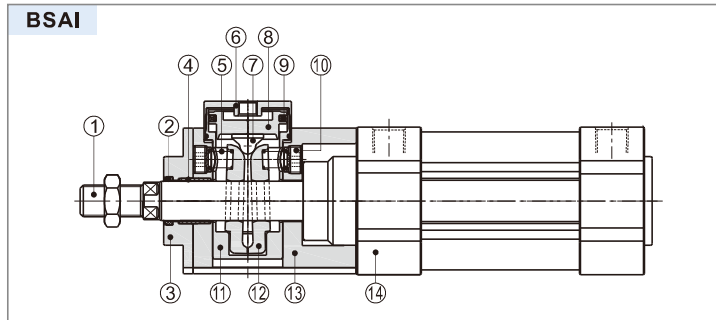
① Type	B: Enclasp cylinder			
② Model	SAI: Double acting type		SAID: Double rod type	
③ Bore size	32 40 50 63 80 100 125			
④ Stroke	Refer to stroke table for details			
⑤ Magnet	Blank: Without magnet		S: With magnet	
⑥ Mounting type [Note1]	Blank	LB	Blank	LB
	FA	FB	FA	TC
	CA	CB		
	CR	TC		
⑦ Thread type	G: G Thread			

[Note1] CR is used with CB; TC are used with TCM1、TCM2, please refer to page 280~282 for details.

# ISO15552 Standard cylinder

## BSAI Series—Enclasp type

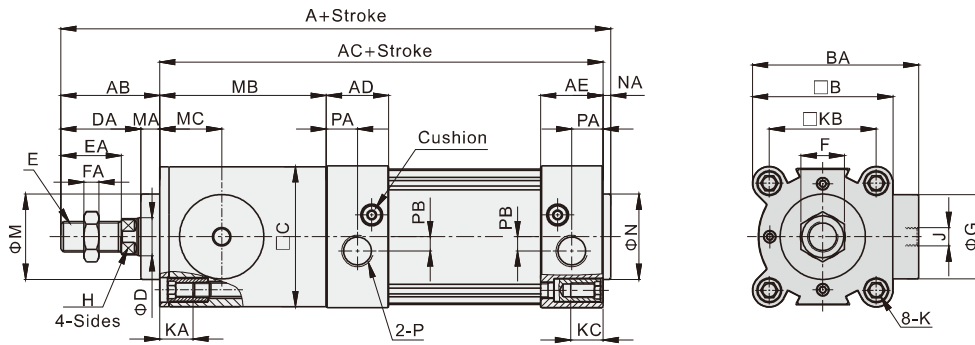
### Inner structure and material of major parts



NO.	Item	Material
1	Piston rod	Carbon steel with 20 μm chrome plated
2	Packing	Plastic
3	Packing holder	Aluminum alloy
4	Bearing	Carbon steel+Bronze sinter
5	Spring	Spring steel
6	Cover	Aluminum alloy
7	Unlocked header	Wear resistant material
8	Unlocked piston	Aluminum alloy
9	Piston O-ring	NBR
10	Screw	Carbon steel
11	Sleeve	Aluminum alloy
12	Clamp head	Aluminium bronze
13	Fixed holder	Aluminum alloy
14	SAI series cylinder	-

### Dimensions

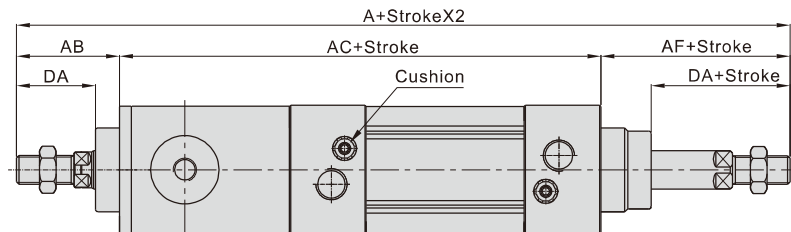
#### BSAI



Bore size/Item	A	AB	AC	AD	AE	B	BA	C	D	DA	E	EA	F	FA	G	H	J	K	KA	KB	KC	M	MA	MB	MC	P	PA	PB	N	NA
32	201	39	159	27.5	27.5	47	65	46.5	12	29	M10×1.25	22	17	6	30	10	G1/8	M6X1.0	14.5	32.5	16	20	10	65	25	1/8"	13.5	6	30	3
40	222.5	43	176	32	32	53	73	52.5	16	33	M12×1.25	24	17	7	36.5	13	G1/8	M6X1.0	14.5	38	17	35	10	71	27.5	1/4"	17.5	6	35	3.5
50	249.5	52	194	31	31	65	83	64	20	42	M16×1.5	32	23	8	44.5	17	G1/8	M8X1.25	17.5	46.5	17	40	10	88	33	1/4"	14	8	40	3.5
63	265	52	209	33	33	75	88	74	20	42	M16×1.5	32	23	8	44.5	17	G1/8	M8X1.25	17.5	56.5	17	45	10	88	33	3/8"	17	8	45	4
80	321	68	249	33	33	95	107.5	94	25	53	M20×1.5	40	26	10	55.5	22	G1/8	M10X1.5	17	72	19	45	15	121	47	3/8"	16.5	8	45	4
100	336	70	262	37	37	115	117.5	113.5	25	55	M20×1.5	40	26	10	55.5	22	G1/8	M10X1.5	17	89	19	55	15	124	47	1/2"	19.5	10	55	4
125	401	92	305	46	46	140	152	138	32	74	M27×2	54	41	13.5	70	27	G1/8	M12X1.75	21.5	110	22	60	18	145	63	1/2"	23	11	60	4

Remark: The dimensions of magnet type cylinder are the same as non-magnet type cylinder.

#### BSAID



Bore size/Item	A	AB	AC	AF	DA	E	FA
32	246	39	159	48	29	M10×1.25	6
40	273	43	176	54	33	M12×1.25	7
50	315	52	194	69	42	M16×1.5	8
63	330	52	209	69	42	M16×1.5	8
80	403	68	249	86	53	M20×1.5	10
100	423	70	262	91	55	M20×1.5	10
125	516	92	305	119	74	M27×2	13.5

Remark:

1. The dimensions of magnet type cylinder are the same as non-magnet type cylinder.
2. The unmarked dimension is the same as BSAI standard type.